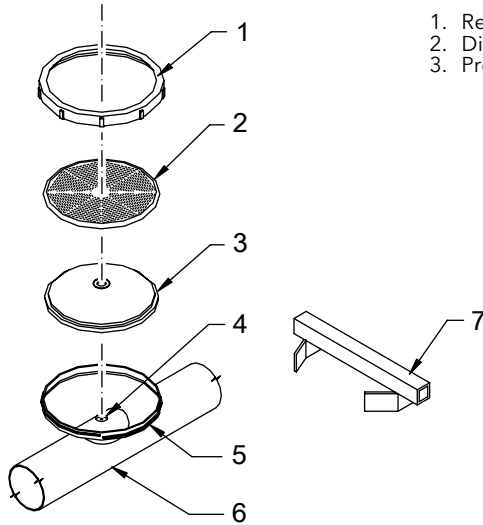


## Install the diffusers

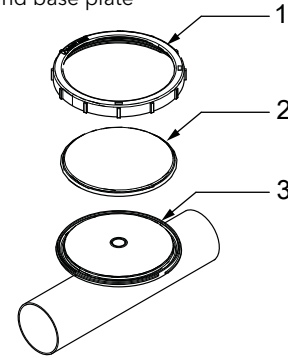
### Assembly 1

1. Retainer ring
2. Diffuser
3. Base plate
4. Orifice
5. Holder
6. Air distributor pipe
7. Spanner wrench

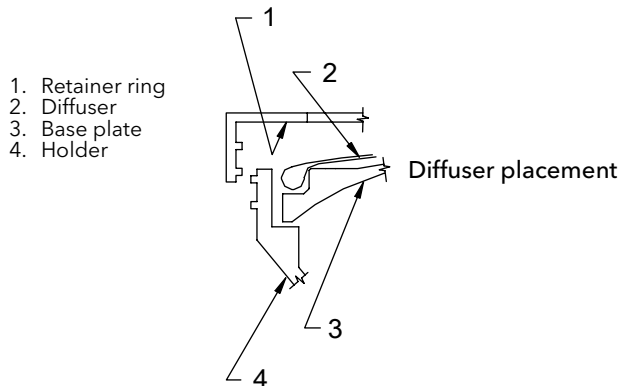


### Assembly 2

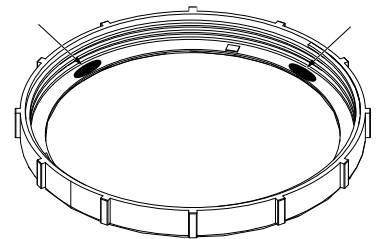
1. Retainer ring
2. Diffuser
3. Premounted holder and base plate



1. Set the base plate, if applicable, in the holder with the flat side up.  
In some equipment the holder and base plate are incorporated as one piece.
2. Mount the diffuser. The diffuser O-ring edge must fit down into the void at the edge of the holder to ensure good sealing



3. Lubricate the retainer ring with the silicone grease provided.  
Use a small amount, approximately the size of a finger tip. Do not use excessive silicone grease and only lubricate the underside of the retainer ring, in three or four places. Avoid getting lubricant on the threads.
4. Turn the retainer ring to a hand-tight position.
5. Turn the retainer ring an additional 45-90°, using the spanner wrench. Do not over tighten.



Lubrication of retainer ring